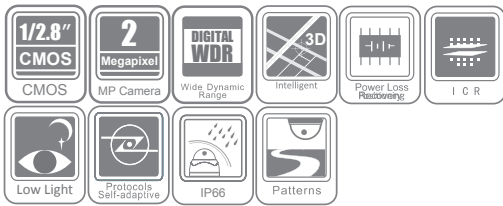


DS-2DE5186/5184

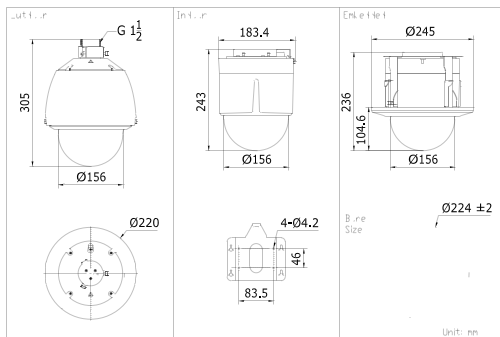
2MP Network PTZ Dome Camera



Key features

- 1/2.8" Progressive Scan CMOS
- 1080P Full HD resolution
- 30X / 20X optical zoom
- True Day/Night, 3D DNR, Digital WDR
- 3D intelligent positioning
- 24VAC / PoE+ power supply

Dimensions



Accessories



	DS-2DE5186	DS-2DE5184
Camera		
Image Sensor	1/2.8" Progressive Scan CMOS	
Effective Pixel	2230K pixels	
Min. Illumination	Color: 0.05Lux@F1.6, AGC ON; B/W: 0.01Lux@F1.6, AGC ON	
White Balance	Auto / Manual / ATW/Indoor/Outdoor/Daylight lamp/Sodium lamp	
AGC	Auto / Manual	
S / N Ratio	≥ 52dB	≥ 50dB
Digital Noise Reduction	3D DNR	
Backlight Compensation	BLC	
Wide Dynamic Range	128X Digital WDR	
Shutter Speed	1 ~ 1/10,000s	
Day & Night	IR Cut Filter	
Focus Mode	Auto / Semiautomatic / Manual	
Lens		
Focal Length	4.3 ~ 129mm, 30x	4.7 ~ 94mm, 20x
Zoom Speed	Approx 3s(Optical Wide-Tele)	
Angle of View	65.1 ~ 2.34 degree (Wide-Tele)	58.3 ~ 3.2 degree (Wide-Tele)
Min. Working Distance	10 ~ 1500mm(Wide-Tele)	
Aperture Range	F1.6 ~ F5.0	F1.6 ~ F3.5
Pan and Tilt		
Pan / Tilt Range	Pan: 360° endless;Tilt: -5° ~ 90°(Auto Flip)	
Pan / Tilt Speed	Pan Manual Speed: 0.1° ~ 250°/s, Pan Preset Speed: 300°/s Tilt Manual Speed: 0.1° ~ 150°/s, Tilt Preset Speed: 200°/s	
Proportional Zoom	Rotation speed can be adjusted automatically according to zoom multiples	
Number of Preset	256	
Patrol	8 patrols, up to 32 presets per patrol	
Park action	Pattern/Pan scan/Tilt scan/Frame scan/Panorama scan/Random scan	
Power-off Memory	Support	
Input/ Output		
Audio Input	Optional audio input (Line input), 2 ~ 2.4V(p-p); output impedance: 1KΩ, ±10%	
Audio Output	Line level, impedance: 600Ω	
Network		
Ethernet	10Base-T / 100Base-TX, RJ45 connector	
Max. Image Resolution	1920x1080	
Frame Rate	50Hz: 25 fps (1920x1080), 25 fps (1280x960), 25 fps (1280x720) 60Hz: 30 fps (1920x1080), 30 fps (1280x960), 30 fps (1280x720)	
Image Compression	H.264/ MPEG4	
Audio Compression	G.711u /G.711a /G.726	
Protocols	IPv4/IPv6, HTTP, HTTPS, 802.1x, Qos, FTP, SMTP, UPnP, SNMP, DNS, DDNS, NTP, RTSP, RTP, TCP, UDP,IGMP, ICMP, DHCP, PPPoE	
Simultaneous Live View	Up to 6	
Streams	Dual Streams	
Mini SD Memory Card	Micro SD Slot, up to 32GB	
User/Host Level	Up to 32 users,3 Levels: Administrator, Camera control, Live view only	
Security Measures	User authentication (ID and PW), Host authentication (MAC address), IP address filtering	
Integration		
Application programming	Open-ended API, support Onvif, PSIA and CGI	
Web Browser	IE 7, IE 8, IE 9, Chrome 8+, Firefox 3.5+, Safari 5+	
General		
RS-485 Protocols	HIKVISION, Pelco-P, Pelco-D, self-adaptive	
Power	24 VAC / PoE+ Max. 22W/14W (Heater On / Off)	
Working Temperature	Outdoor dome: -30°C ~ 65°C(-22°F ~ 149°F); Indoor dome: -10°C ~ 50°C(14°F ~ 122°F)	
Humidity	90% or less	
Protection Level	IP66 standard (outdoor dome) TVS 4,000V lightning protection, surge protection and voltage transient protection Φ220x305mm (Φ8.66"x12.02")(Outdoor)	
Dimensions	Φ183.4x243mm(Φ7.22"x9.56") (Ceiling) Φ245x236mm(Φ9.65"x9.29") (In-ceiling)	
Weight (approx.)	5Kg (11.02lbs)	
Mount Option (for outdoor models)	Long-arm wall mount: DS-1601Z; Corner mount: DS-1633Z; Pole Mount: DS-1622Z; Power box mount:DS-1634Z	

Order models

- | | |
|--------------------------------------|--------------------------------------|
| DS-2DE5186-A: 24VAC, outdoor | DS-2DE5184-A: 24VAC, outdoor |
| DS-2DE5186-AE: PoE+ & 24VAC, outdoor | DS-2DE5184-AE: PoE+ & 24VAC, outdoor |
| DS-2DE5186-A3: 24VAC, indoor | DS-2DE5184-A3: 24VAC, indoor |
| DS-2DE5186-AE3: PoE+ & 24VAC, indoor | DS-2DE5184-AE3: PoE+ & 24VAC, indoor |

NOTE: indoor models support ceiling and in-ceiling mount.